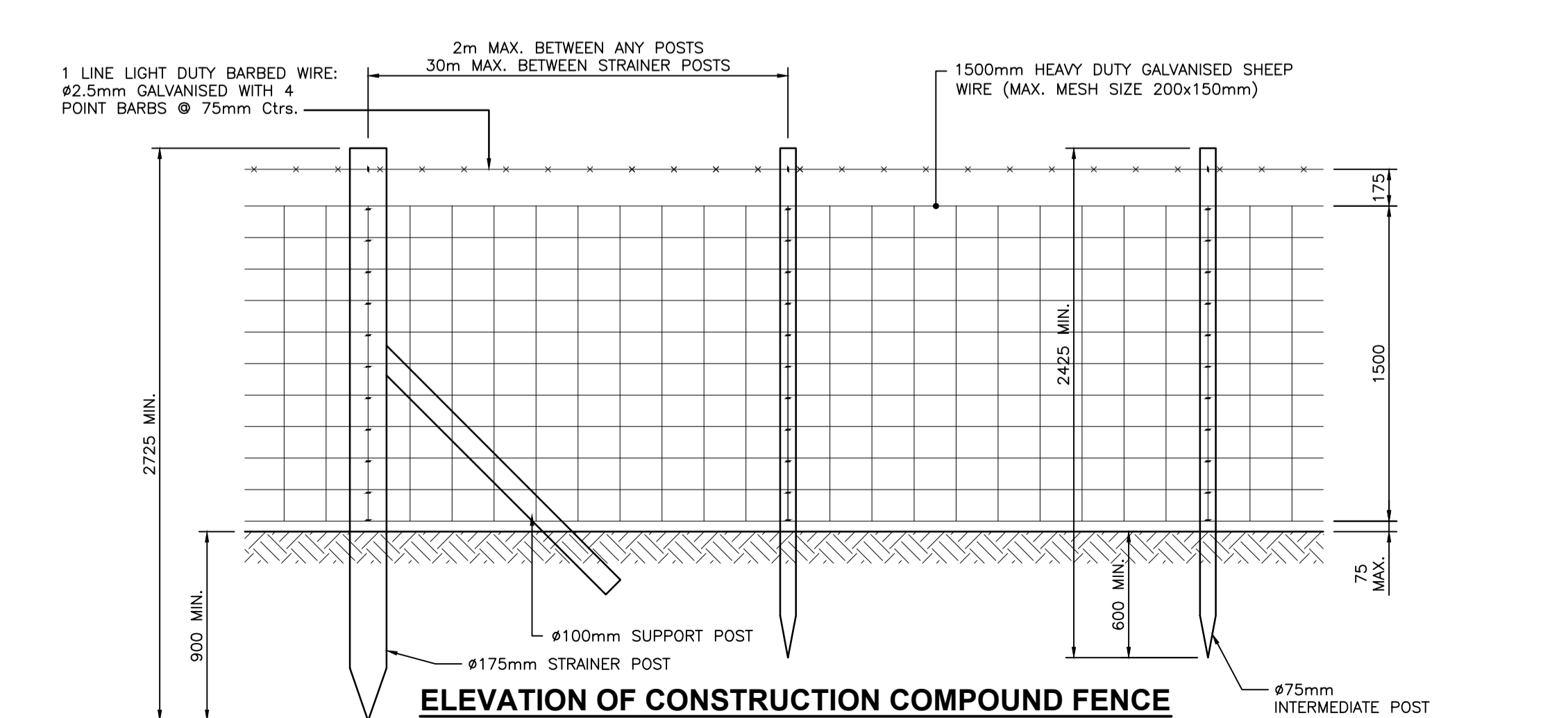
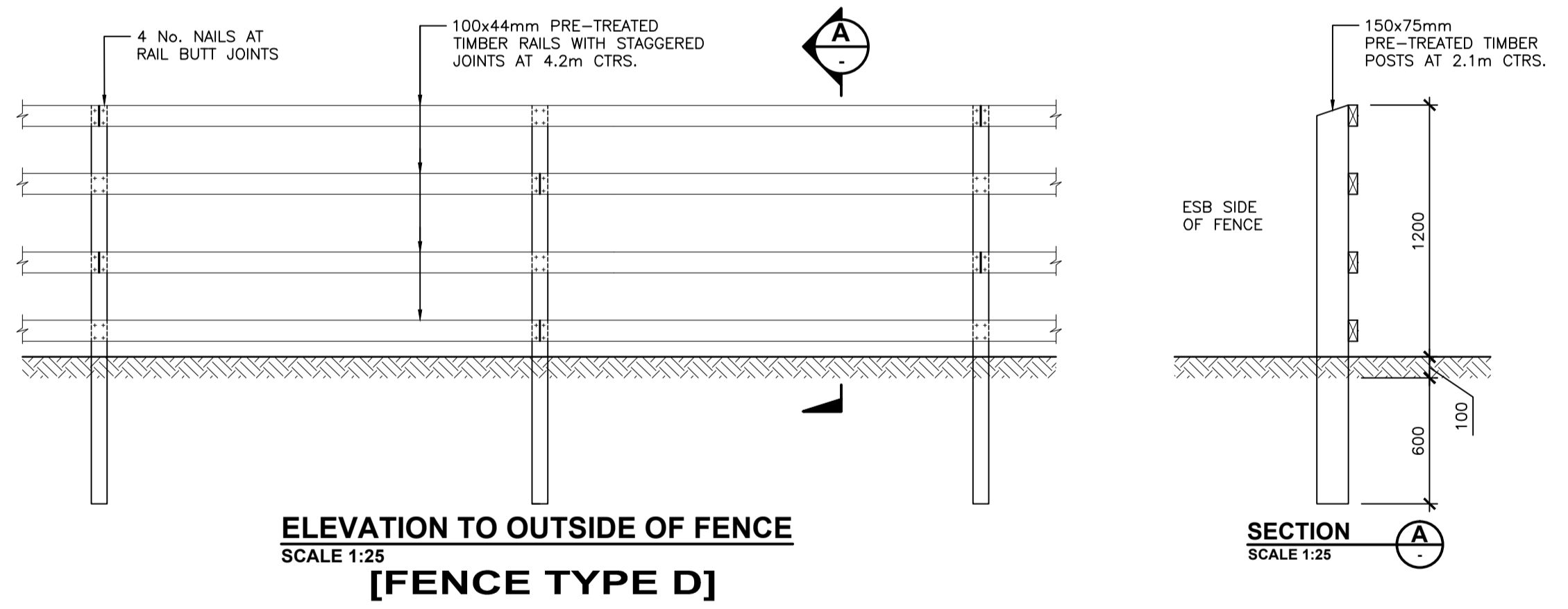
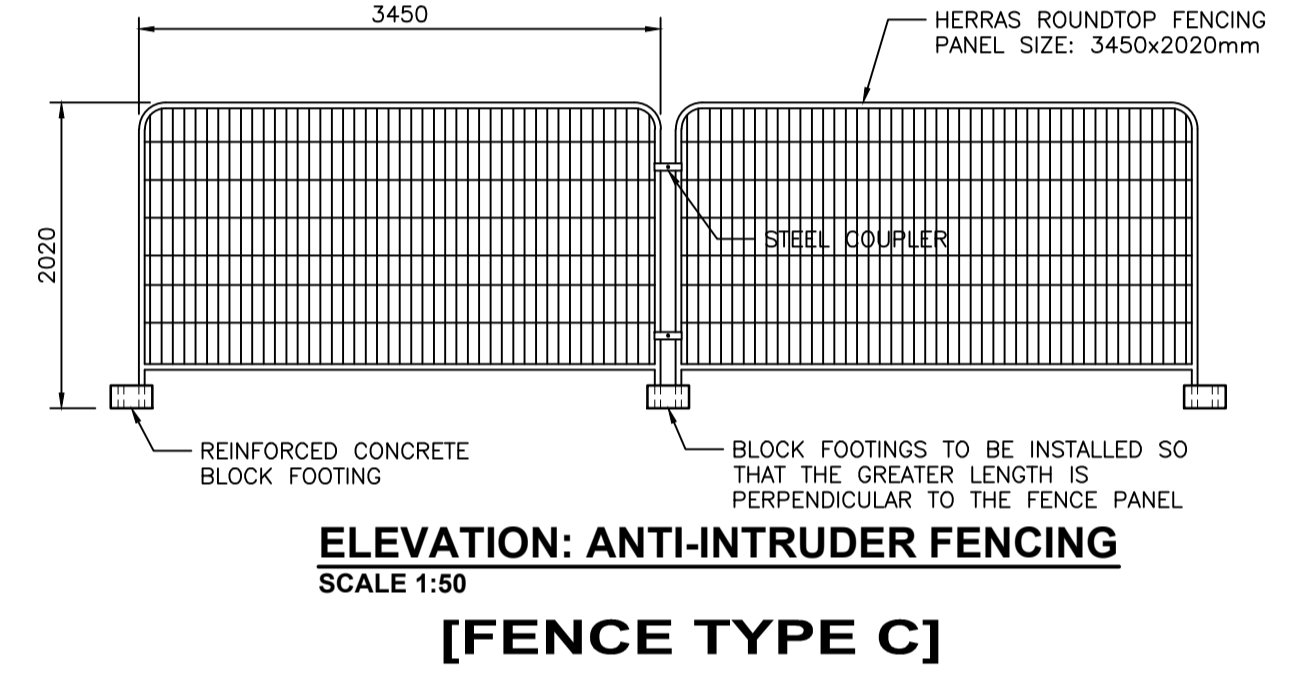
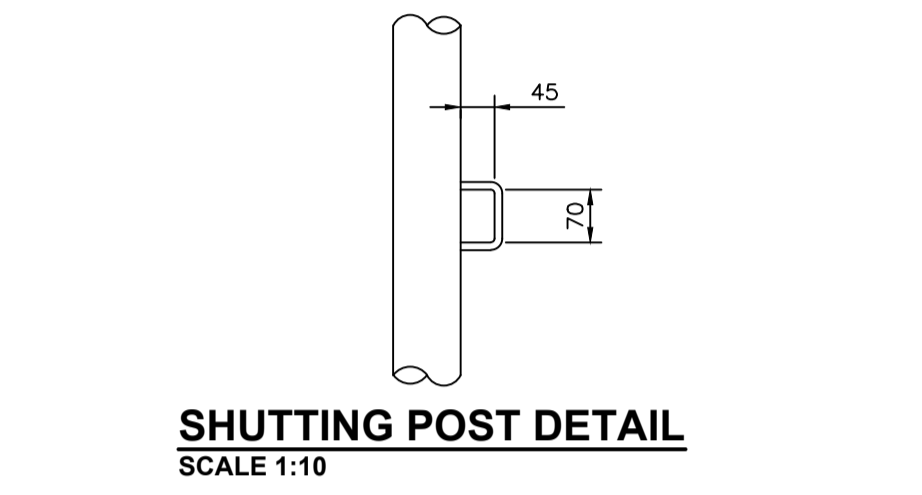
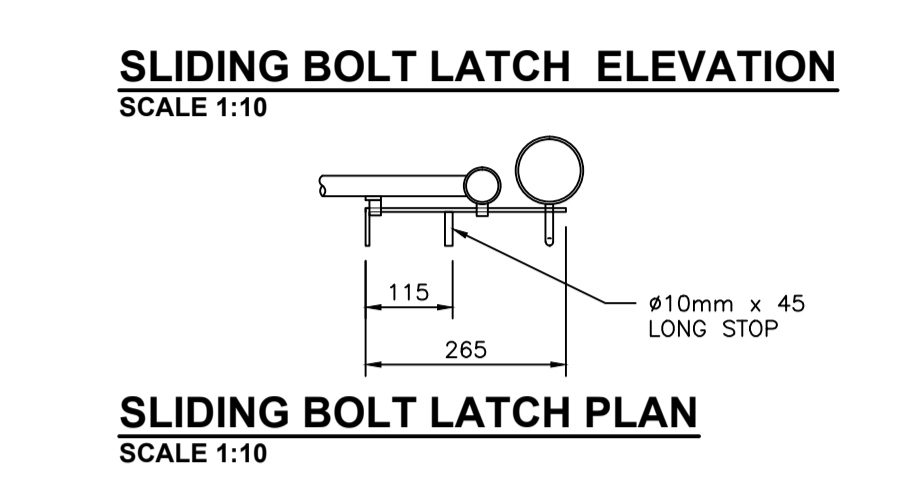
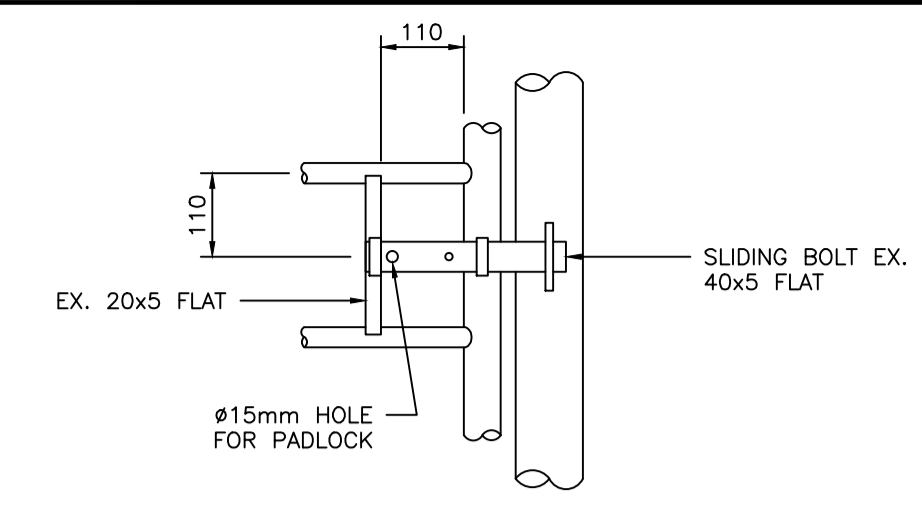
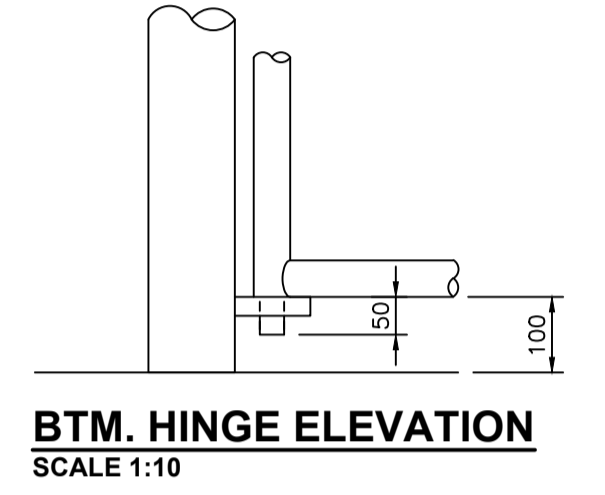
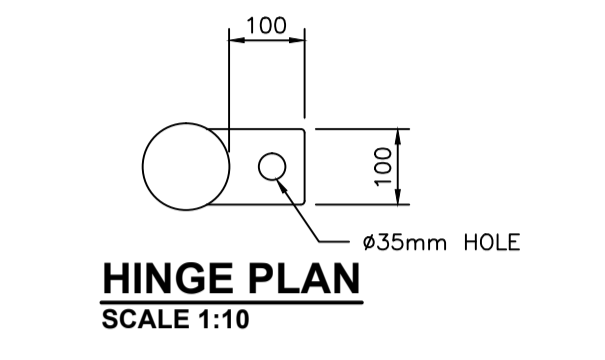
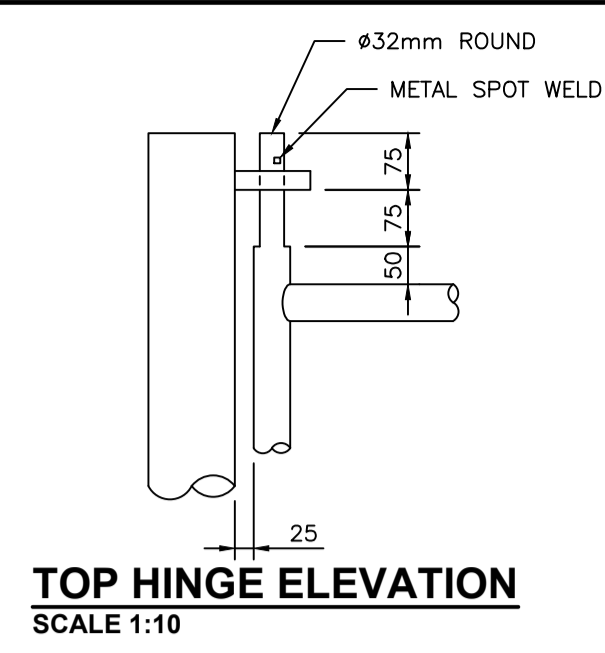


GATE SPEC. (TYP. ALL GATES)

DESCRIPTION OF MATERIAL	SIZE	FIXTURES & FITTINGS
HANGING POSTS (TUBULAR STEEL)	114.3mm OUTER DIA. x 3.6 THICK	TOP CAPPING PLATE 4.8 THICK TWO 250x250x4.8 WING PLATES STICH WELDED TO POST
SHUTTING POST (TUBULAR STEEL)	88.9mm OUTER DIA. x 2.6 THICK	BASE PLATE 250x250x4.8 CAP AND BASE PLATES TO BE CONTINUOUSLY FLUSH WELDED TO TUBE
OUTER FRAMES (TUBULAR STEEL)	42.4mm OUTER DIA. x 2.6 THICK	
INFILLING HORIZONTAL RAILS (TUBULAR STEEL)	26.9mm OUTER DIA. x 2.3 THICK	
DIAGONAL BRACE (FLAT STEEL)	25mm x 4.8 THK.	
VERTICAL BRACES (FLAT STEEL)	25mm x 4.8 THK.	



- GATE NOTES:**
- ALL DIMENSIONS ARE IN MILLIMETERS.
 - GATES SHALL COMPLY WITH THE APPROPRIATE CLAUSES IN THE H SERIES OF VOLUME 3 OF THE MANUAL OF CONTRACT DOCUMENTS FOR HIGHWAY WORKS AND ANY FURTHER REQUIREMENTS IN APPENDIX 1/15 OR 3/1.
 - THE CORNERS OF THE MAIN FRAME MAY BE ROUNDED OR /AND MITRED.
 - GATE TO BE GALVANISED TO COMPLY WITH B.S. 729 UNLESS ALTERNATIVE PROTECTIVE TREATMENT DESCRIBED IN APPENDIX 1/15 OR 3/1.

- FENCE NOTES:**
- POSTS SHALL BE PRESSURE TREATED PRESSURE TANNALISED TIMBER TO I.S. 436 OR I.S. 437 AND BE CERTIFIED AS SUCH BY THE NSAI.
 - SHEEP WIRE SHALL BE 900mm HIGH TENSILE GALVANISED WIRE TO I.S. EN 10223-5 AND SHALL BE FIXED TO THE POST USING GALVANISED STAPLES MIN. SIZE 40mm x 3.5mm ROUND TO I.S. 105-1. GALVANISED COATINGS SHALL COMPLY WITH I.S. EN 10244-2.
 - STRAINER POSTS SHALL BE PROVIDED AT THE BEGINNING AND END OF EVERY LENGTH OF FENCING, AT GAPS OR OPENINGS, AT EVERY CHANGE IN DIRECTION AND TO ACCOMMODATE ANY SIGNIFICANT CHANGE IN GRADIENT. THE MAXIMUM DISTANCE BETWEEN STRAINER POSTS SHALL NOT EXCEED 75m.
 - THE CONTRACTOR IS RESPONSIBLE FOR ENSURING THAT FENCING IS TIED APPROPRIATELY TO ALL EXISTING FENCING & HEDGES.

- TIMBER POST & RAIL FENCING NOTES:**
- ALL TIMBERS TO BE PRETREATED, PRESSURE IMPREGNATED WITH PRESERVATIVE.
 - USE 2 No. 100mmxLONG THREADED GALVANIZED FENCING NAILS TO FIX EACH RAIL LENGTH AT SUPPORTS.
 - NAILS ARE TO BE HAMMERED IN ONLY. DO NOT USE AN AIR GUN TO DRIVE IN THE NAILS.
 - FENCING TO BE ACCORDANCE WITH I.S. 435: PART 1:2005

- GENERAL NOTES:**
- ALL DRAWINGS TO BE READ IN CONJUNCTION WITH THE SPECIFICATION AND ALL ENGINEER'S DRAWINGS. ANY DISCREPANCIES ARE TO BE NOTED IN WRITING TO THIS OFFICE IMMEDIATELY PRIOR TO COMMENCING THE WORK.
 - THE CONTRACTOR SHALL NOTIFY THE ENGINEER OF ANY DISCREPANCIES BETWEEN THE PLANS AND DETAILS PRIOR TO COMMENCING THE WORK.
 - DO NOT SCALE FROM THE DRAWING.
 - ANY TEMPORARY WORKS SHALL BE THE SOLE RESPONSIBILITY OF THE CONTRACTOR.

REV.	DATE	REVISION DESCRIPTION	DRN	PRO	VER	APP
0	19.08.15	ISSUED FOR PLANNING	SB	DS	SS	FQ

PURPOSE OF ISSUE - PRELIMINARY UNLESS INDICATED

TENDER CLIENT APPROVAL CONSTRUCTION AS-BUILT REVISED

Client: **ESB WIND DEVELOPMENT LTD.**

Project: **GROUSEMOUNT WIND FARM**

Contract: **PLANNING APPLICATION**

Drawing Title: **TYPICAL FENCING & GATE DETAILS**

Production Unit: **WIND DEVELOPMENT**

ESB Wind Development Ltd., Stephen Court, 18-21 St. Stephen's Green, Dublin 2, Ireland Tel: +353 (0)1 703800
Web: www.esb.ie
Registered Office: as above Registered in Ireland No. 471139

DRAWN	PRODUCED	VERIFIED	APPROVED	APPRO DATE
S. Bolton	D. Shiels	S. Shanley	F. Quigley	19.08.2015

DRAWING NUMBER: **QR320171-MWC-P-3002**

COPYRIGHT © ESB
All rights reserved. No part of this work may be modified or reproduced or copied in any form or by any means, graphic, electronic or mechanical, including photocopying, recording, taping or information-and-retrieval system, or used for any purpose other than its designated purpose, without the written permission of the ESB.